



UNITEDSEATS



NEW HEAVY DUTY SUSPENSION SEATS FOR CONSTRUCTION AND MARINE APPLICATIONS

LGV120 / C7 PRO

STANDARD FEATURES

- Air suspension 12v or 24v
- Weight adjustment 50-150 kg
- Suspension travel 100 mm
- Slide rail travel 200 mm
- UnitedSeats fabric trim
- High back
- Seat width 490 mm
- Adjustable backrest
- Seat cushion depth and tilt adjustment

OPTIONS

- Heavy duty PVC trim
- Air lumbar support
- Adjustable armrests (with pods)
- Headrest
- Contact switch, Seat belt
- Heaters with 12v, 24v or 48v elements
- Turntable
- Document box

MGV120 / C7 PRO

STANDARD FEATURES

- Mechanical suspension
- Weight adjustment 50-150 kg
- Suspension travel 100 mm
- Slide rail travel 200 mm
- UnitedSeats fabric trim
- High back
- Seat width 490 mm
- Adjustable backrest
- Seat cushion depth and tilt adjustment

OPTIONS

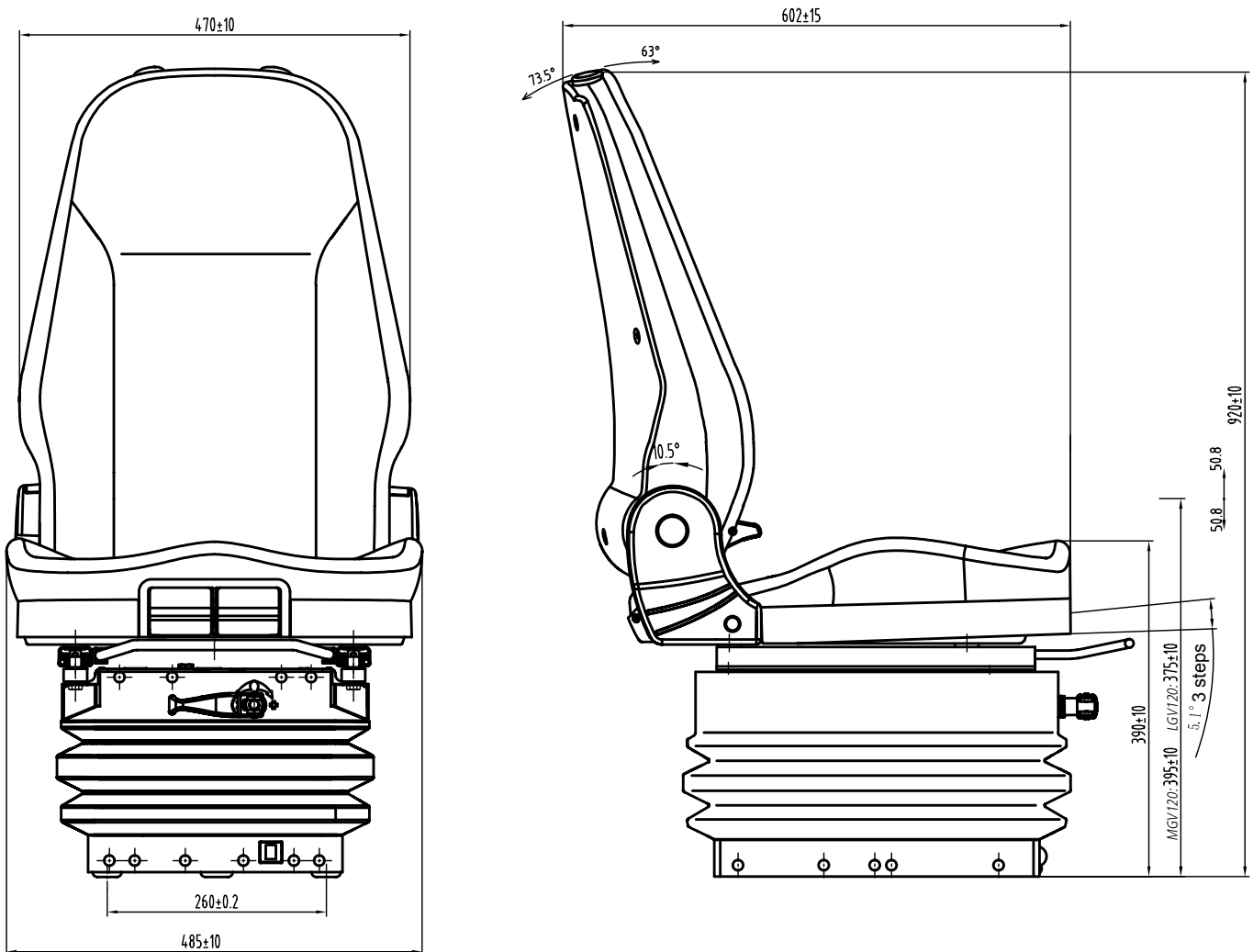
- Heavy duty PVC trim
- Air lumbar support
- Adjustable armrests (with pods)
- Headrest
- Contact switch, Seat belt
- Heaters with 12v, 24v or 48v elements
- Turntable
- Document box



UNITEDSEATS

your global seat supplier

DRAWING LGV120 / C7 PRO & MGV120 / C7 PRO



We unite your seat



UNITEDSEATS

T. +31 (0)88 0158 700

E. info@unitedseats.com

I. www.unitedseats.com

Your UnitedSeats contact:

