



UNITEDSEATS

your global seat supplier



Air and mechanical suspension seats for all types of ships, workboats and marine craft



UNITEDSEATS - your global seat supplier



MGV120 / C7 PRO

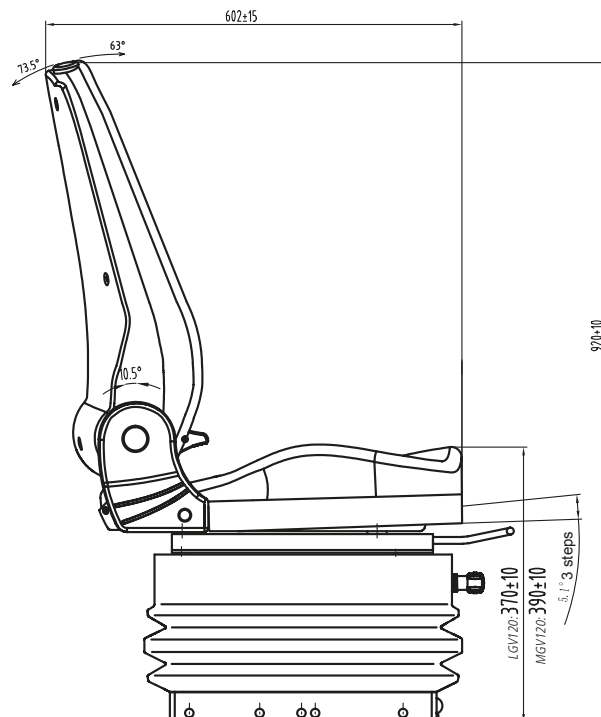
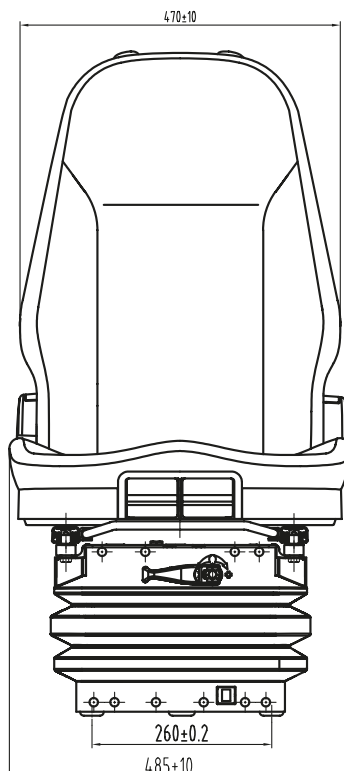
This is a large size mechanical suspension seat with high back fully adjustable upper. This is ideal for large operators, heavier crew members (50-150 kg) and the stable wide suspension is reliable for deep sea well as inshore applications. It is available in deluxe fabric or heavy duty PVC. The Air LGV120 version is also available with either 12v or 24v integral compressor.

STANDARD FEATURES

- Mechanical suspension
- Weight adjustment 50-150 kg
- Suspension travel 100 mm
- Slide rail travel 200 mm
- UnitedSeats fabric trim
- High back
- Seat width 490 mm
- Adjustable backrest
- Seat cushion depth and tilt adjustment

OPTIONS

- Heavy duty PVC trim
- Air lumbar support
- Adjustable armrests (with pod possibility)
- Headrest
- Contact switch, Seat belt
- Heaters with 12v, 24v or 48v elements
- Turntable
- Document box





CS85 / C1

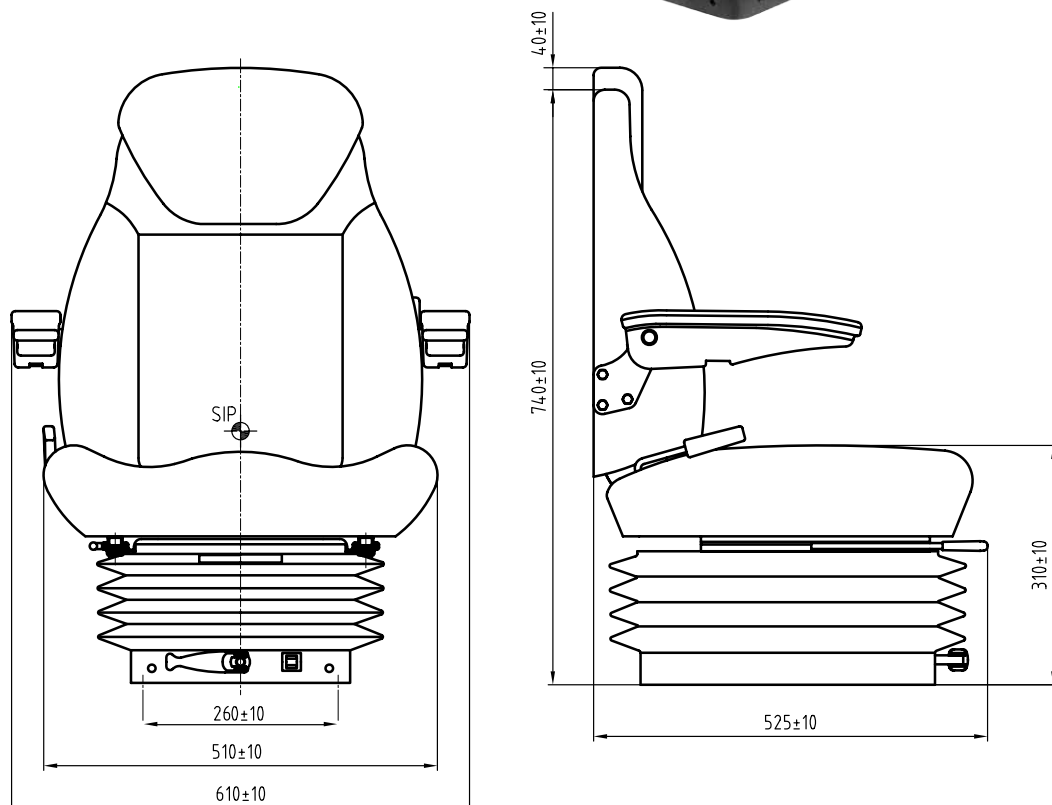
This is a comfortable economic mechanical suspension seat for general marine use and inshore craft, it features a 3 position height adjustment. This seat is available in robust fabric or PVC.

STANDARD FEATURES

- Mechanical suspension
- Weight adjustment from 50-125 kg
- Suspension travel 90 mm
- Height adjustment of 60 mm in 3 stages
- Slide rail travel 150 mm
- Heavy duty PVC trim
- Seat width of 510 mm
- Mechanical lumbar support
- Adjustable backrest

OPTIONS

- UnitedSeats fabric trim
- Adjustable armrests (with pod possibility)
- Backrest extension
- Seat belt
- Contact switch
- Heaters with 12v, 24v or 48v elements
- Turntable
- Narrow versions of 390 or 430 mm





MGV64 / C2

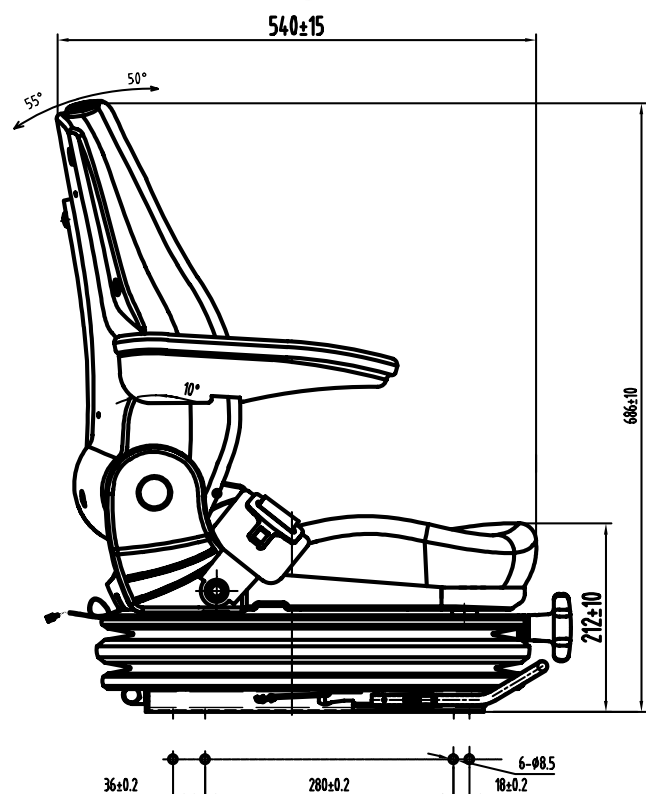
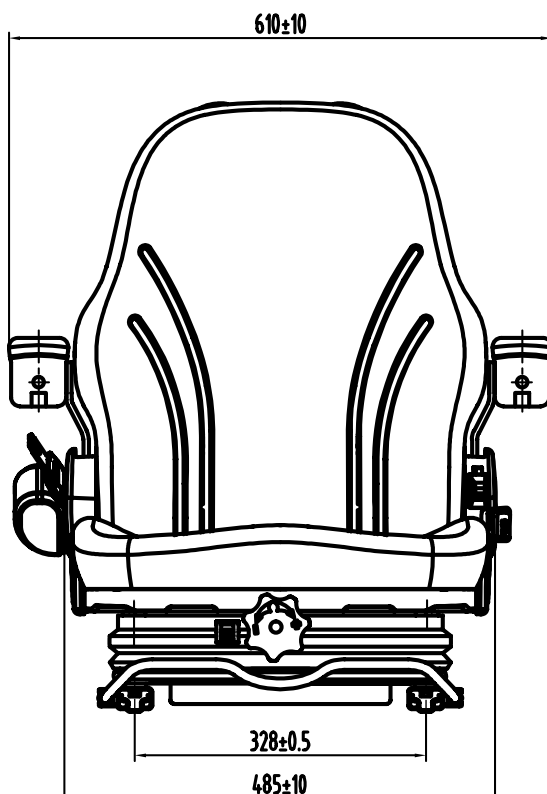
This low profile suspension seat has 60 mm of suspension and can support crew and helmsman up to 145 kg. As it is low profile it is suited to high box mounting plinths in personnel transporter craft, harbour ferries and for inshore fishing boats. The HD PVC is also water resistant in more open cockpits. A deluxe fabric version is also available for closed cabins.

STANDARD FEATURES

- Low profile mechanical suspension
- Weight adjustment from 45-145 kg
- Suspension travel 60 mm
- Slide rail travel 200 mm
- Heavy duty PVC trim
- Seat width 490 mm
- Adjustable backrest

OPTIONS

- UnitedSeats fabric trim
- Adjustable armrests (with pod possibility)
- Air lumbar support
- Backrest extension
- Seat belt
- Contact switch
- Heaters with 12v, 24v or 48v elements
- Turntable
- Document box





MGV25 / C5

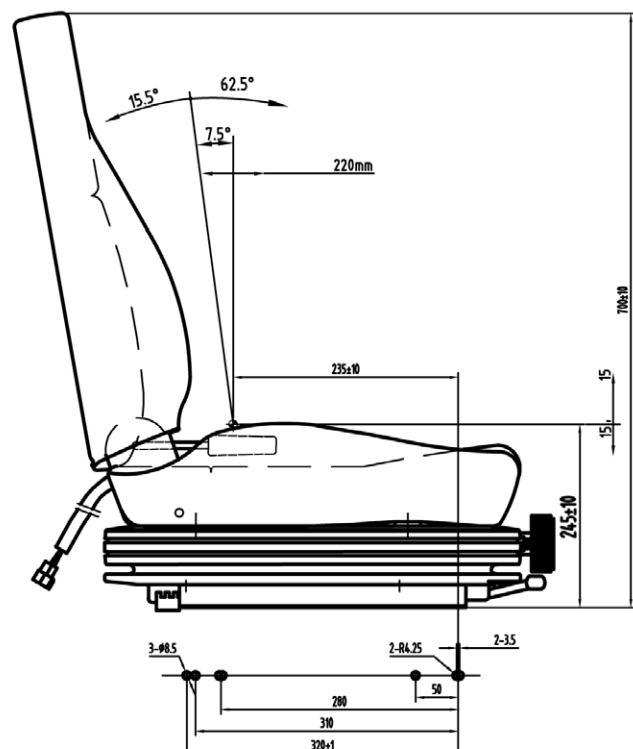
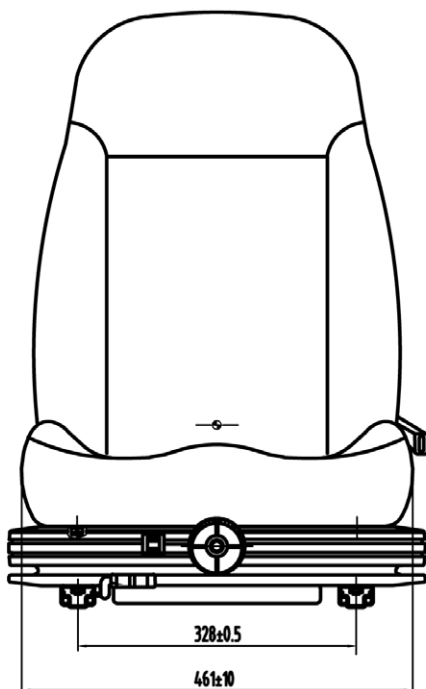
This is a low profile economy seat with only 45 mm of suspension and ideal for crew transport boats and mounting to high plinths. It gives some vibration protection to users. The C5 upper is only 460 mm wide and so can be used in restricted space vessels.

STANDARD FEATURES

- Low profile mechanical suspension
- Weight adjustment 50-130 kg
- Suspension travel 45 mm
- Slide rail travel 150 mm
- UnitedSeats fabric trim
- Seat width 460 mm
- Adjustable backrest

OPTIONS

- Heavy duty PVC trim
- Air lumbar support
- Adjustable armrests
- Backrest extension
- Seat belt
- Contact switch
- Heaters with 12v, 24v or 48v elements





MGV84 / C1

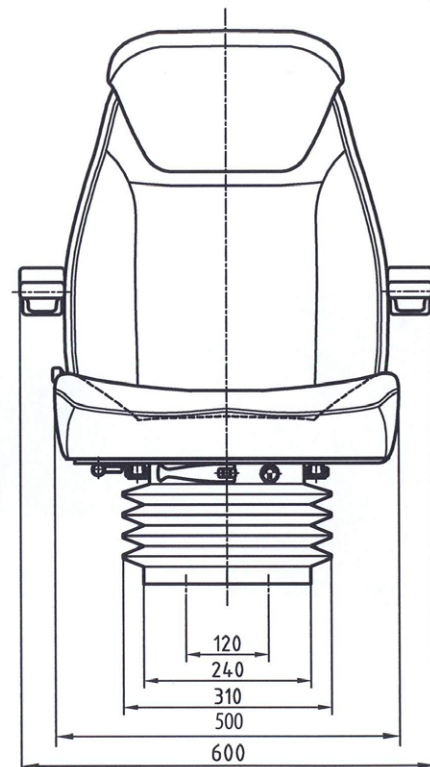
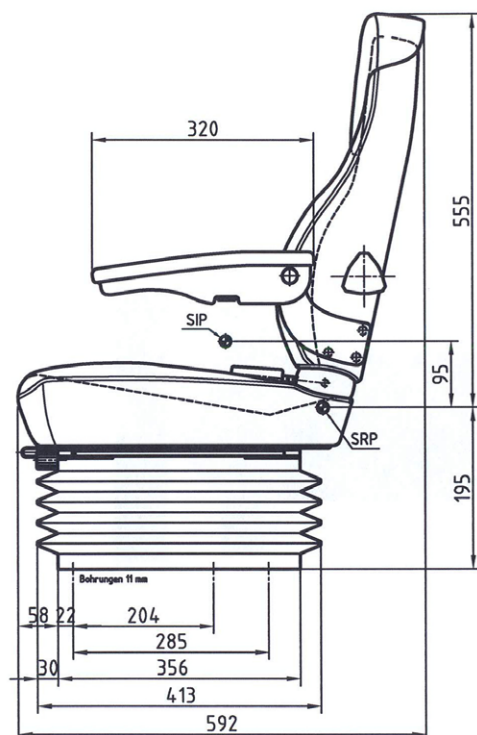
This seat has a narrow long vertical 100 mm suspension travel and 60 mm height adjust and can be used in smaller craft to protect the operator from wave impacts. The C1 seat upper is comfortable and available in PVC or fabric. This seat is available in widths of 490 mm, 430 mm, 390 mm and even 320 mm.

STANDARD FEATURES

- Mechanical suspension
- Weight adjustment from 50-120 kg
- Suspension travel 100 mm
- Height adjustment of 60 mm
- Slide rail travel 150 mm
- UnitedSeats fabric trim
- Seat width of 510 mm
- Mechanical lumbar support
- Adjustable backrest

OPTIONS

- Heavy duty PVC trim
- Adjustable armrests (with pod possibility)
- Backrest extension
- Seat belt
- Contact switch
- Heaters with 12v, 24v or 48v elements
- Turntable
- Narrow versions of 390 or 430 mm





More of UnitedSeats

CS85 / C7 PRO



LGV120 / C7 PRO



MGV25



Mi1000



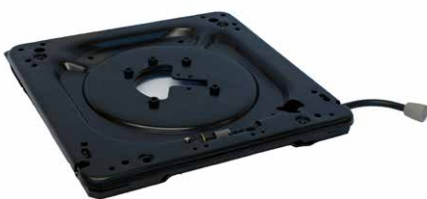
Mi560



CS85



Turntable



ALR seat belt



Seat belt with contact switch





UNITEDSEATS

your global seat supplier



We unite your seat

Your UnitedSeats contact:



UNITEDSEATS

T. UK +44 (0)1604 300 014
T. NL +31 (0)88 0158 700
E. info@unitedseats.com
I. www.unitedseats.com

