



VOYAGER C70 COMFORT



TRUCK AND BUS SEATING MANUFACTURER

VOYAGER C70 COMFORT

STANDARD FEATURES

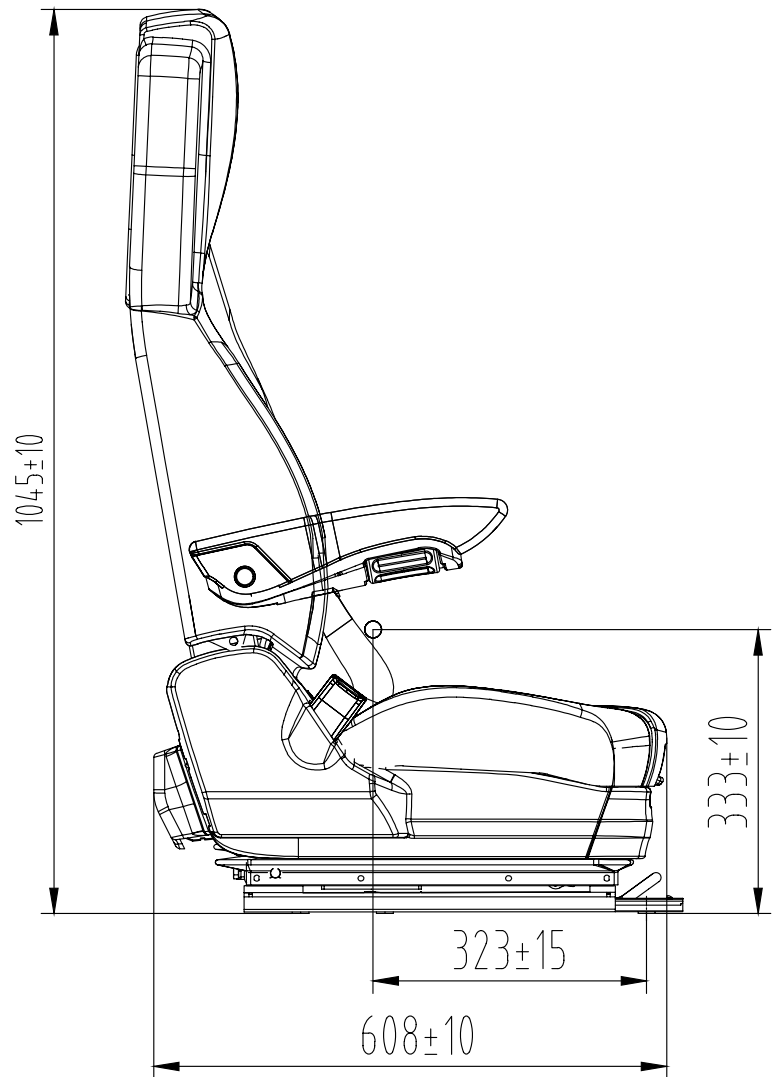
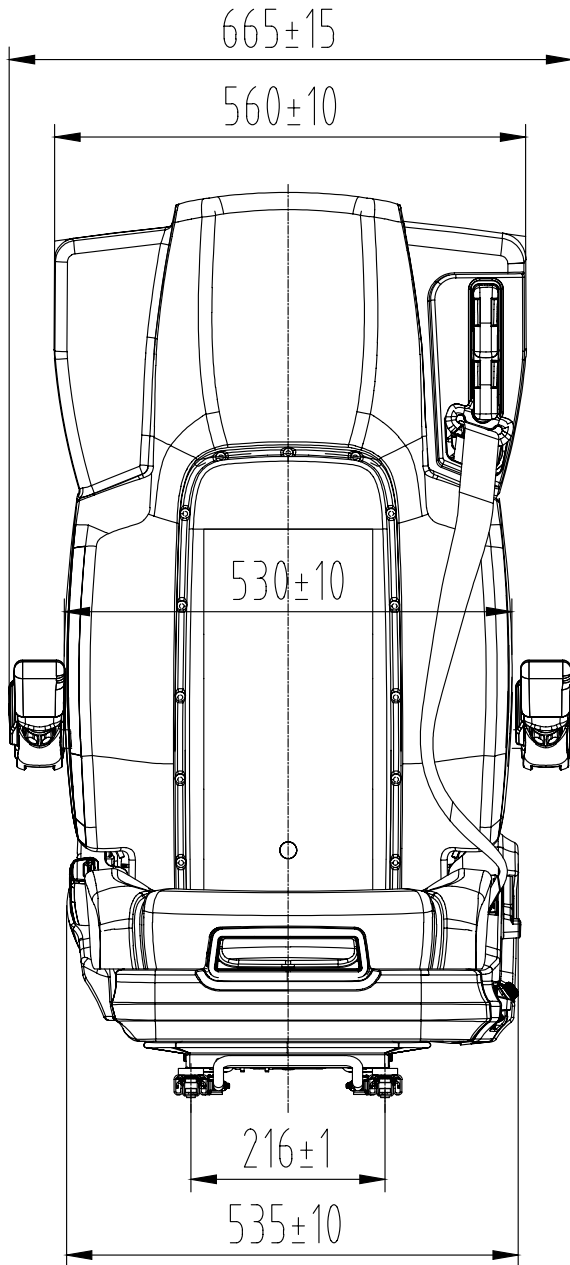
- Automatic air suspension
- Pneumatic height adjustment 80 mm
- Suspension stroke 120 mm
- Quick release valve (dump valve)
- Dual pneumatic lumbar support (2 positions)
- Pneumatic adjustable side bolsters
- Damper hardness adjustable
- Seat depth adjustment
- Tilt mechanism
- 3-point safety belt (left side or right side)
- Adjustable seat belt height
- Backrest adjustment (30° forward and backward)
- Slide rail travel 180 mm
- Slide rail centre 216 mm (230 mm also available)
- Half fabric trim/half eco leather trim
- Meets EU safety standards ECE-R16 (3-point safety belt)
- Meets EU safety standards ECE-R17 (headrest strength)
- Meets UN Regulations no. 14R09/02

OPTIONAL FEATURES

- 12V or 24V integrated heating
- Adjustable deluxe armrests
- Full fabric trim



TECHNICAL DRAWING





TRUCK AND BUS **SEATING** MANUFACTURER

Custom **made in** Holland



At UnitedSeats we are dedicated to providing a quality service from the initial quotation to final product delivery. Our commitment to service, knowledge and product availability has made us the preferred source for your seating needs.

WWW.UNITEDSEATS.COM

