



BUS & TRUCK SEATING



QUALITY SEATING MANUFACTURER



UnitedSeats for transport vehicles, bus and truck drivers

“We unite your seat”



UnitedSeats is well known for its range of Off-Highway seats, and now presents the ‘Voyager’ series of Truck and Bus Driver seats.

The new Voyager seats with automatic air levelling are produced under contract in state of the art facilities which also produce automotive, aircraft and rail seats, using the latest manufacturing technology.

The ‘Voyager’ series is built and tested to meet rigorous on-Highway safety standards.

Voyager seats are supplied to numerous OEM’s in Asia and have been refined by UnitedSeats by ‘Dutch design’ to meet the demand of European drivers.



UnitedSeats is based in Zwijndrecht, the Netherlands, from where we supply a portfolio of OEM's and our worldwide dealer network.

The Voyager seats are stylish, comfortable and can be easily installed.

UnitedSeats is able to tailor ergonomic seating solutions through its experienced sales team and can supply all necessary spare parts for the Voyager seats.

Our priority is to maintain driver health and safety!

Remember:

At UnitedSeats we've got your back!

We have seats for the following bus & truck vehicles:



Truck more than 12 tonnes



Bus/Coach more than 52 seats



Midi-bus 25-29 seats



Double decker bus



Tram

Focus product range

VOYAGER C75 PREMIUM

The Voyager series of truck and bus driver AIR seating comes in two model types:

- C60 range (C60 Comfort and C65 Premium) versions.
- C70 range (C70 Comfort and C75 Premium) versions.

In today's hectic world with busy roads a professional driver needs every support to maintain full concentration at all times. UnitedSeats created the bus and truck seat for all drivers: the Voyager.

This model is available in different styles of upholstery. With our own upholstery shop where ergonomic adjustments can be made, we can meet your specific wishes and needs.

Lateral side bolsters (left and right side)

Luxury armrest (optional)

3-point safety belt with switch

Comfortable seat cushion

Seat depth adjustment

Slide rail adjustment

Seat belt height adjustment

Air lumbar supports (2 levels)

Back angle adjustment

Air cooling control and seat heating control

Suspension height adjustment

Seat tilt mechanism

Damper hardness adjustment

Rapid dump valve



BENEFITS OF THE VOYAGER SERIES

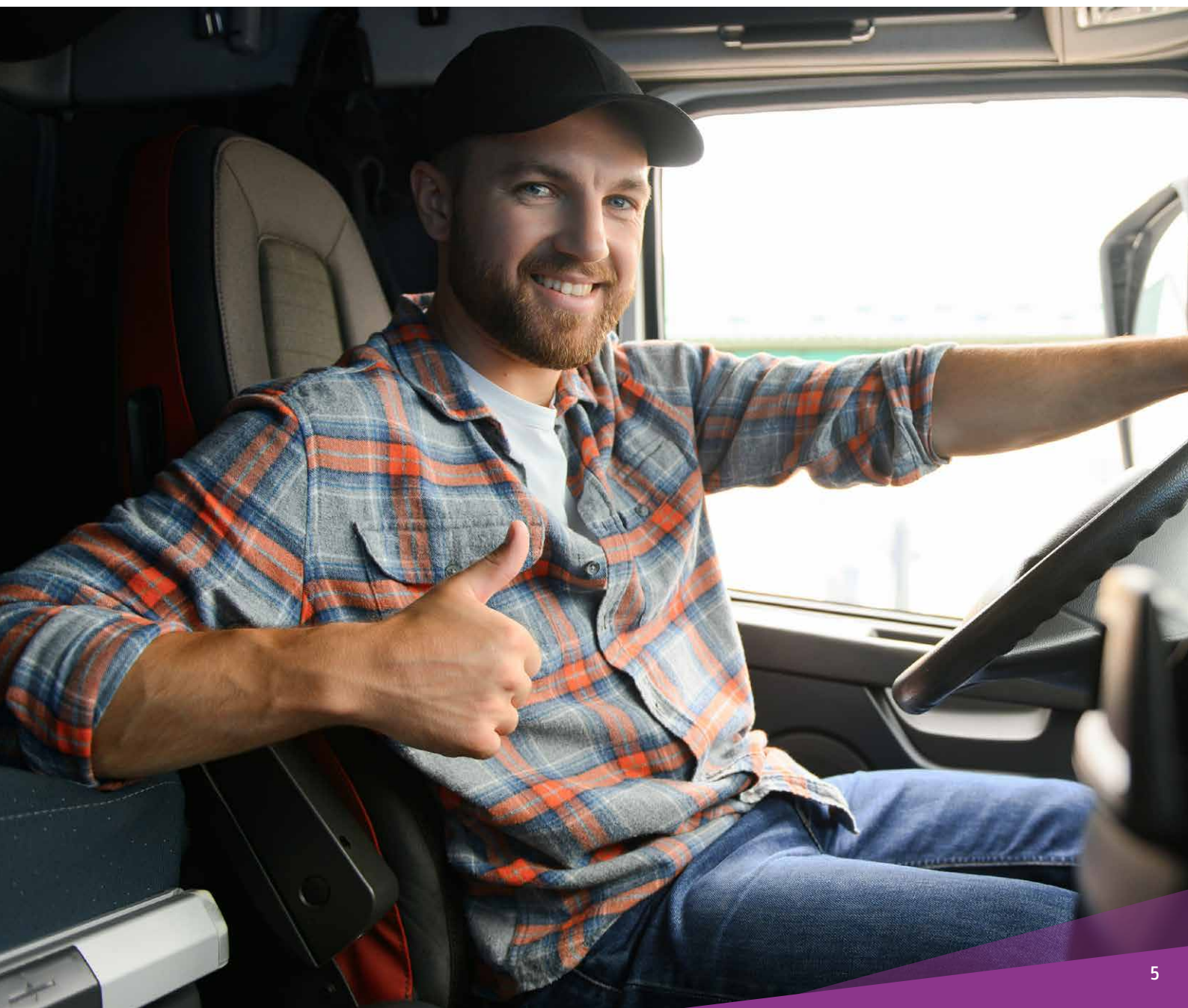
The Voyager AIR seats bring immediate benefits to the driver:

- Significant reduction in harmful vibrations which cause back and internal injury.
- Provides excellent support for the body through anatomically shaped cushions.
- Allows a driver to find their optimum driving position via a wide range of adjustments.
- The neutral hard wearing trim materials provide a stylish, comfortable and practical upholstery finish.
- With the Premium models the additional climatic features of heating and cooling provides solutions in cold or warm weather conditions.

VOYAGER, THE PERFECT CHOICE

The Voyager AIR seats are the best choice, because:

- Voyager AIR seats comply with M3/N3 safety and strength standards for large trucks and buses.
- Voyager AIR seats are highly adjustable to suit a wide range of driver body sizes and shapes. With a weight range of 50 - 150 kgs.
- The Voyager uses 'industry standard' slide rail mounting centres suitable for most trucks and buses.
- Where pairs of seats are needed the Voyager C70 and C75 models come in matching left and right hand belt versions.
- The Voyager from UnitedSeats comes from a team with over 40 years of seating experience.



VOYAGER C70 COMFORT

STANDARD FEATURES

- Automatic air suspension
- Pneumatic height adjustment 90 mm ± 10 mm
- Total suspension travel 140 mm ± 20 mm
- Quick release valve (dump valve)
- Dual pneumatic lumbar support 30 mm (2 positions upper + lower)
- Pneumatic adjustable side bolsters
- Adjustable damper with 5 settings
- Seat depth adjustment 50 mm
- Seat tilt mechanism (11° up and 4° down)
- 3-point safety belt with switch (left side or right side)
- Height adjustable seat belt (3 positions)
- Backrest adjustment (30° forwards and 40° backwards)
- Slide rail travel 190 mm
- Slide rail centre 216 mm
- Deluxe fabric trim
- Integrated headrest
- Meets EU safety standards ECE-R16 (3-point safety belt)
- Meets EU safety standards ECE-R17 (headrest strength)
- Meets UN Regulations no. 14R09/02



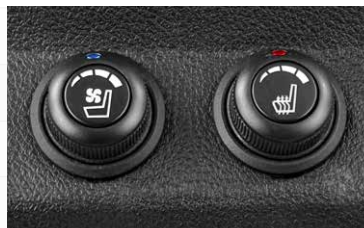
C75 PREMIUM (WITH CLIMATE SYSTEM)

- Heating 24V integrated (continuous) | 12V optional
- Air cooling (continuous)

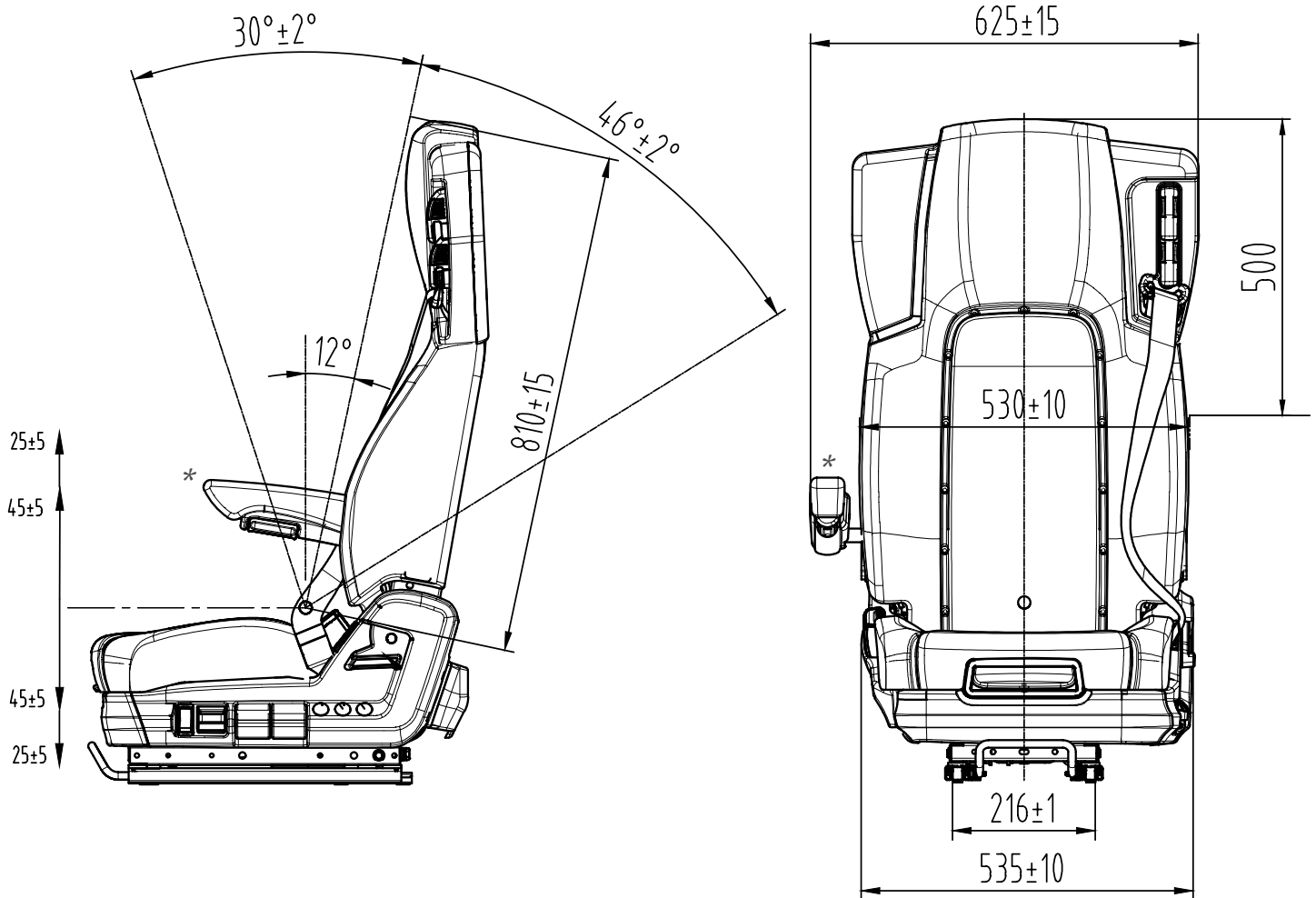
OPTIONAL FEATURES

- Adjustable deluxe armrests
- Left and right hand seat variants available
- PVC/fabric trim for left hand C70
- Bespoke trims

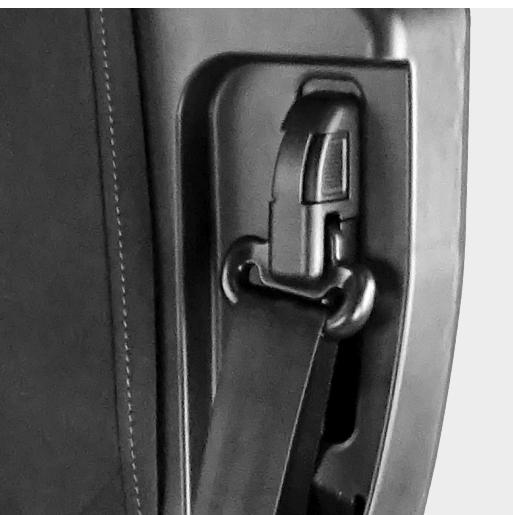
C75 PREMIUM (WITH CLIMATE SYSTEM)



TECHNICAL DRAWING



* Armrest is optional



VOYAGER C60 COMFORT

STANDARD FEATURES

- Automatic air suspension
- Pneumatic height adjustment 90 mm \pm 10 mm
- Total suspension travel 140 mm \pm 20 mm
- Quick release valve (dump valve)
- Dual pneumatic lumbar support 30 mm (2 positions upper & lower)
- Pneumatic adjustable side bolsters
- Adjustable damper with 5 settings
- Seat depth adjustment 60 mm
- Seat tilt mechanism (11° up and 4° down)
- Integrated headrest
- 3-point safety belt (left side only)
- Backrest adjustment (30° forwards and 30° backwards)
- Shoulder adjustment (12°)
- Slide rail travel 180 mm
- Slide rail centre 216 mm
- Deluxe fabric trim
- Meets EU safety standards ECE-R16 (3-point safety belt)
- Meets EU safety standards ECE-R17 (headrest strength)
- Meets UN Regulations no. 14R09/02

C65 PREMIUM (WITH CLIMATE SYSTEM)

- Heating 24V integrated 2 stages | 12V optional
- Air cooling 2 stages

OPTIONAL FEATURES

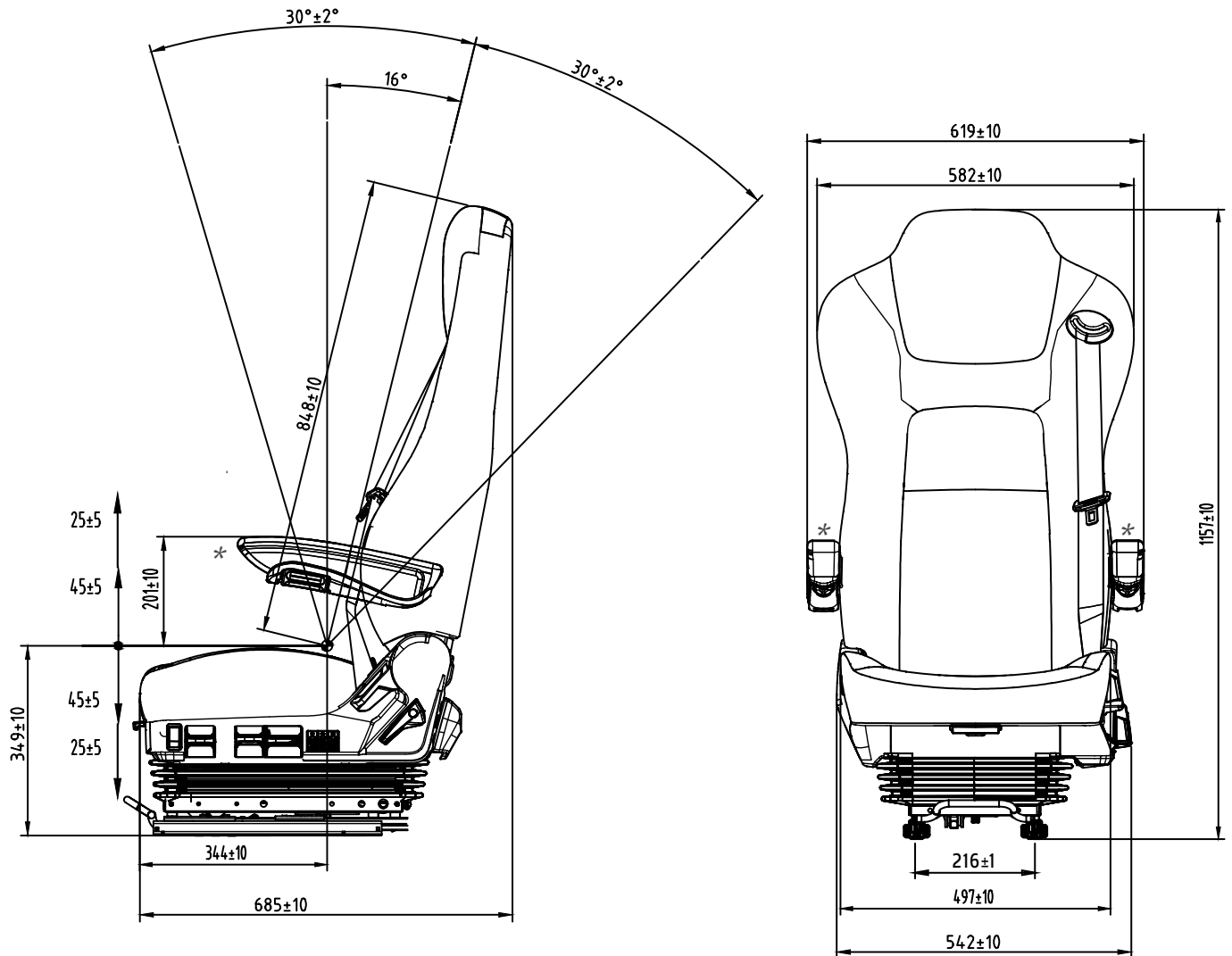
- Adjustable deluxe armrests
- Bespoke trims



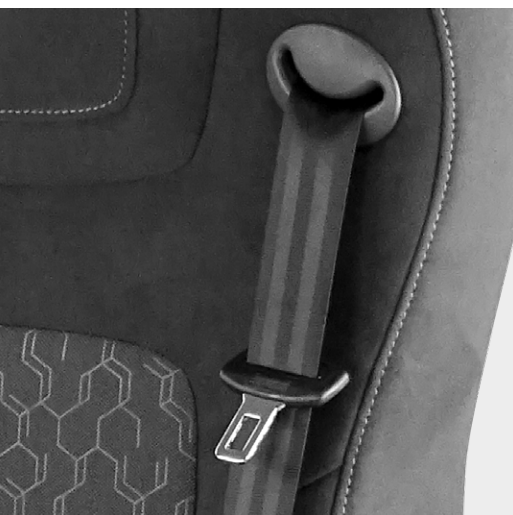
C65 PREMIUM (WITH CLIMATE SYSTEM)



TECHNICAL DRAWING



* Armrests are optional



TRUCK & BUS SEAT FROM UNITEDSEATS

Long hours behind the wheel often lead to neck, back, and shoulder pain, and even your legs can suffer. With the Voyager, these problems are a thing of the past. With the extensive options from UnitedSeats, you can install the seat to suit your body.

'We unite your seat'.

For truck drivers a comfortable, ergonomic truck seat is of great importance. This AIR-suspended seat boasts features such as adjustable seat depth, tilt mechanism, lumbar

support, adjustable backrest, adjustable damper, and weight adjustment.

Additionally, the Voyager seat comes equipped with a 3-point seat belt. For added comfort and functionality, optional upgrades include heating, armrests, and alternative upholstery. It complies with various standards, including EU safety standards ECE-R17 (for headrest strength), UN regulation no. 14R09/02, and EU safety standards ECE-R16 (for the threepoint safety belt).

ALL UPHOLSTERY IS POSSIBLE

UnitedSeats has its own upholstery shop where ergonomic adjustments can be made to meet your specific needs. All kinds of upholstery are possible; leather, fabric, company colours or company logo

added to the trim. Adjustments can be carried out quickly and professionally in-house. Whether upholstering a truck seat or a bus seat: All is possible.

RECOMMENDATIONS

- For all on-highway seats we recommend installations are made by experienced and trained fitters.
- Appropriate hardware and bracketry should be used.
- Further information is available from your UnitedSeats team.





**Travel
in true
comfort
with your
Voyager**



QUALITY **SEATING** MANUFACTURER

Custom **made in** Holland



At UnitedSeats we are dedicated to providing a quality service from the initial quotation to final product delivery. Our commitment to service, knowledge and product availability has made us the preferred source for your seating needs.

WWW.UNITEDSEATS.COM

