



HIGHLANDER SERIES



QUALITY SEATING MANUFACTURER

HIGHLANDER PRO WITH FRONT CONTROL

UnitedSeats presents a new high back air seat: the Highlander Pro Deluxe for construction and industrial machines. It features integrated controls and powered adjustment for weight and height settings. It's ergonomic cushions provide optimal comfort levels for operators and a wide range of adjustments to enhance cab ergonomics. The seat cushion contains depth and tilt adjustment. The horizontal suspension reduces the buffeting motion of front to rear shocks.

It has a large variety of external mounting holes to facilitate installations for both OEM's and aftermarket users.

Fully adjustable comfortable armrests

Comfortable seat cushion 520 mm width

Seat cushion depth & tilt adjustment

24V pneumatic weight adjustment

5 stage adjustable damper

260 mm mounting centres

Adjustable headrest

Document box

3-stage heating

Comfort foam cushion with lateral support

Lumbar support

Easy to operate fully adjustable backrest

Optional various safety belts available

Heavy-duty slide rails

Horizontal suspension with isolator

Pneumatic heavy duty suspension 24V compressor



ALSO AVAILABLE



With side control

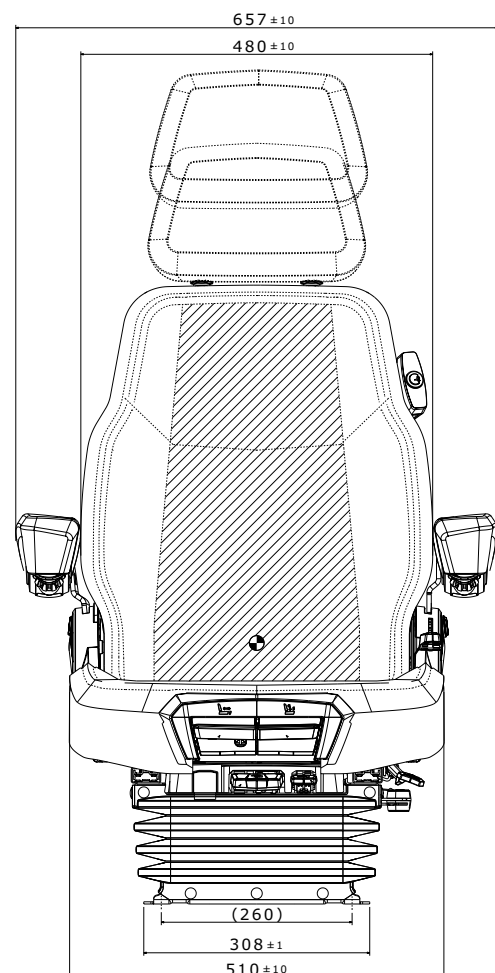
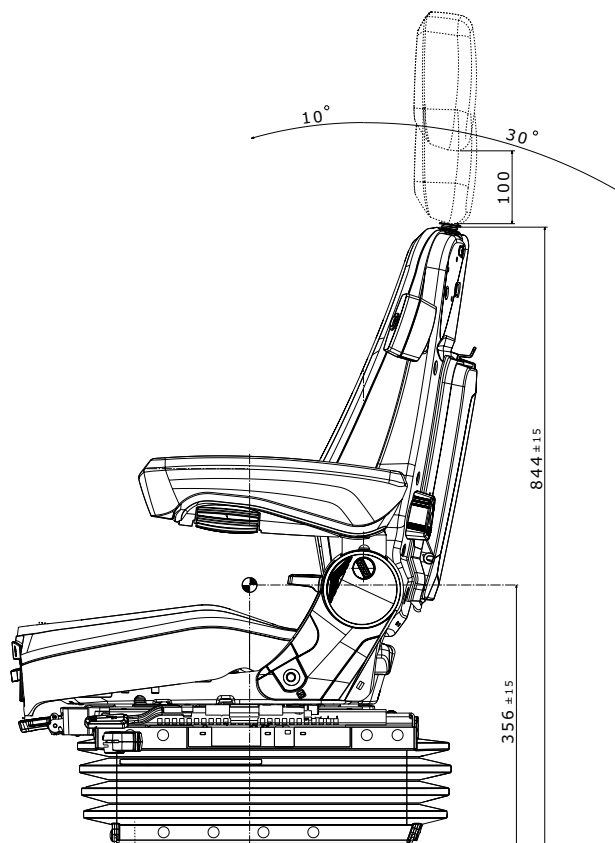


With various
three point safety belts



With various
four point safety belts

TECHNICAL DRAWING





QUALITY SEATING MANUFACTURER

Custom made in **Holland**



At UnitedSeats we are dedicated to providing a quality service from the initial quotation to final product delivery. Our commitment to service, knowledge and product availability has made us the preferred source for your seating needs.

WWW.UNITEDSEATS.COM

