



LGV150/C8 PRO AIR SEAT



QUALITY SEATING MANUFACTURER

LGV150/C8 PRO AIR SEAT

The LGV150/C8 Pro is the new heavy-duty suspension and seat combination. With features such as horizontal suspension with isolator, pneumatic lumbar adjustment, heating, and ventilation, this will be suitable for large construction and mining equipment such as excavators, wheel loaders, graders, articulated dump trucks and many other machines.

Comfort foam cushion with lateral support

Comfortable seat cushion 540 mm width

Seat cushion depth & tilt adjustment

Horizontal suspension with isolator

24V pneumatic weight adjustment 35 - 150 kg

Adjustable damper

260 mm mounting centres

Adjustable headrest

Various safety belts available

Fully adjustable comfortable armrests

Easy to operate fully adjustable backrest

Pneumatic lumbar support (4 zones)

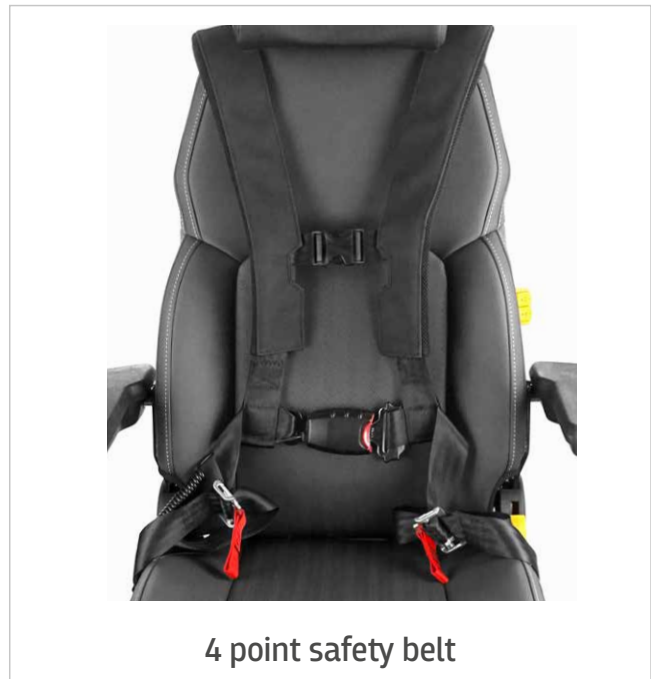
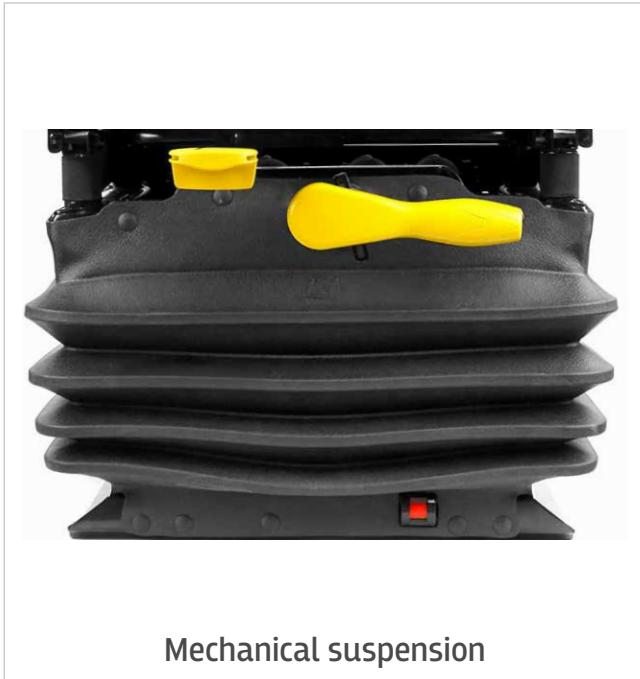
Heating and ventilation (3 stages)

Heavy-duty slide rails

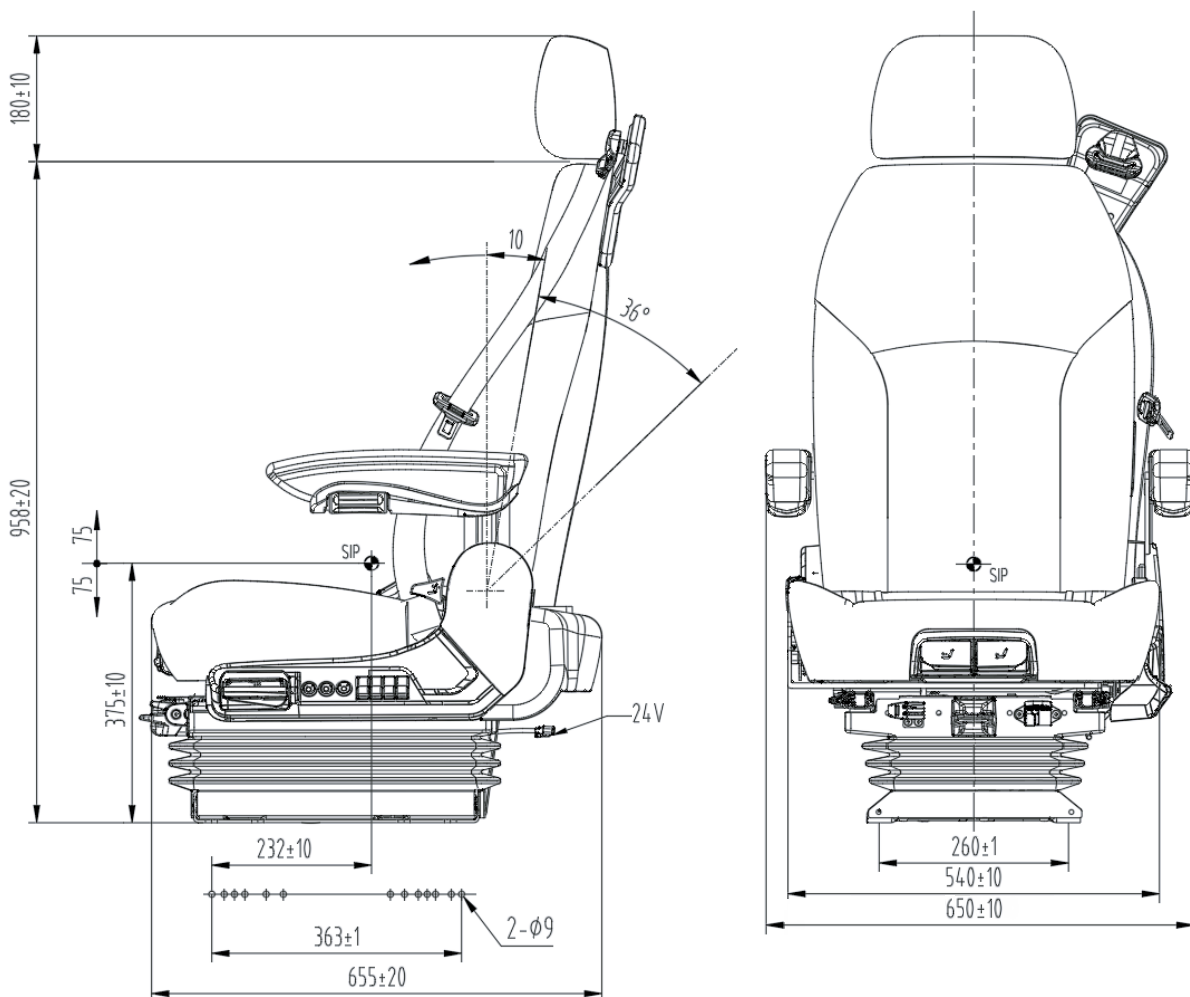
Pneumatic heavy duty suspension 24V compressor



OPTIONAL FEATURES



TECHNICAL DRAWING





QUALITY SEATING MANUFACTURER

Custom made in Holland



At UnitedSeats we are dedicated to providing a quality service from the initial quotation to final product delivery. Our commitment to service, knowledge and product availability has made us the preferred source for your seating needs.

WWW.UNITEDSEATS.COM

